

**121400**

# Illustrated Parts List

## Model Series

# 121400

TYPE NUMBERS  
0014 through 0269.

### TABLE OF CONTENTS

Air Cleaner .....	8
Blower Housing/Shrouds .....	9
Cams .....	3
Carburetor .....	5
Controls .....	6
Controls .....	7
Crankcase Cover/Sump .....	2
Crankshaft .....	3
Cylinder .....	2
Electric Starter .....	10
Flywheel .....	9
Fuel Tank .....	6
Gear Reducer .....	10
Governor Spring .....	7
Head .....	4
Ignition .....	7
Kits/Gaskets – Carburetor .....	5
Kits/Gaskets – Engine .....	2
Kits/Gaskets – Valve .....	4
Muffler .....	8
Oil .....	10
Piston Group .....	3
Rewind .....	9
Valves .....	4

PRINTED IN U.S.A.



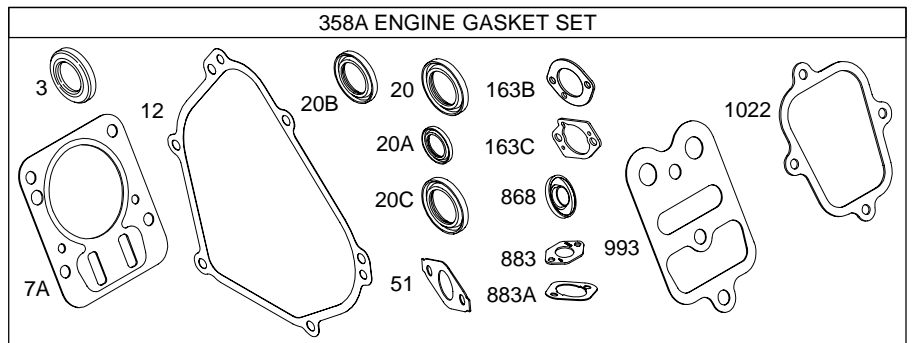
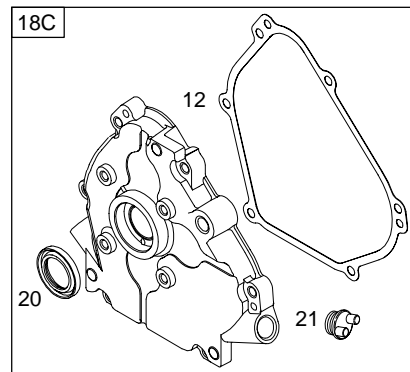
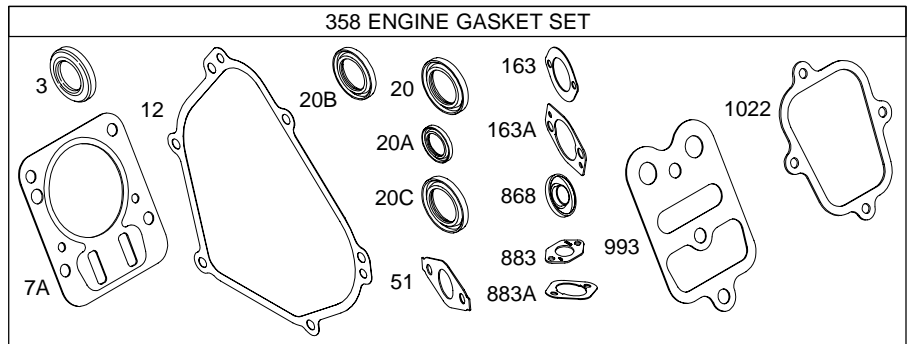
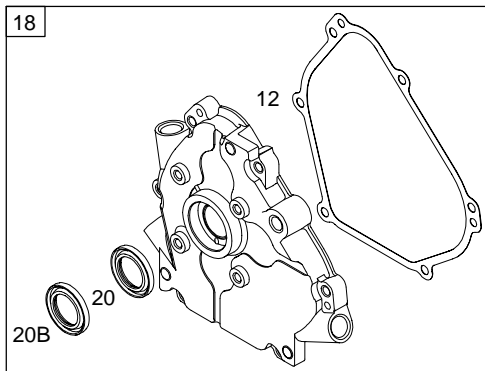
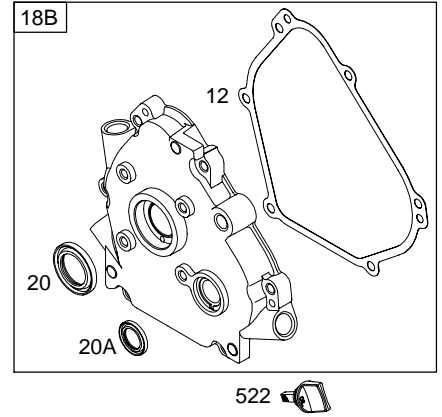
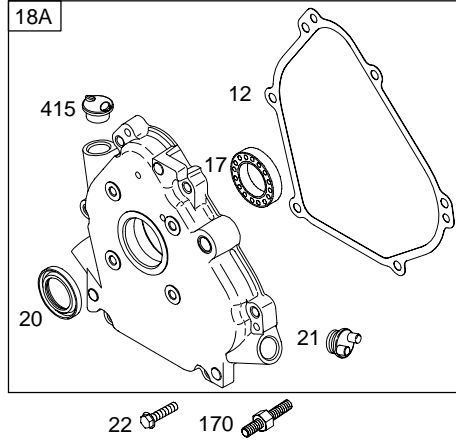
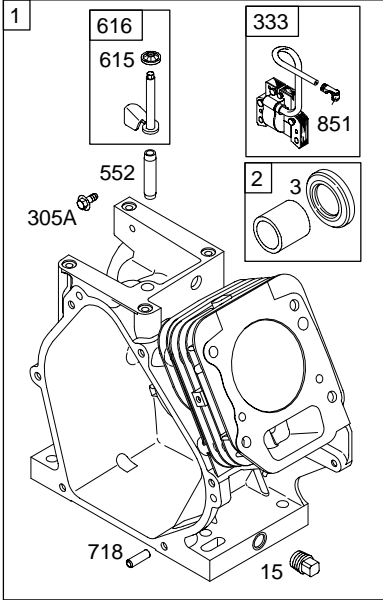
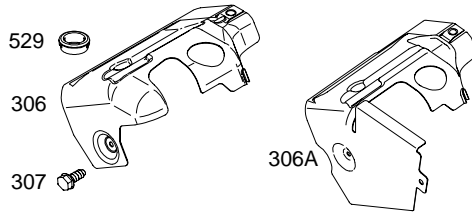
COPYRIGHT by BRIGGS & STRATTON CORPORATION  
All rights reserved. No part of this material may be reproduced or transmitted, in any form or by any means, electronic or mechanical, including photocopying, recording or by any information storage and retrieval system, without permission in writing from Briggs & Stratton Corporation.

# 121400

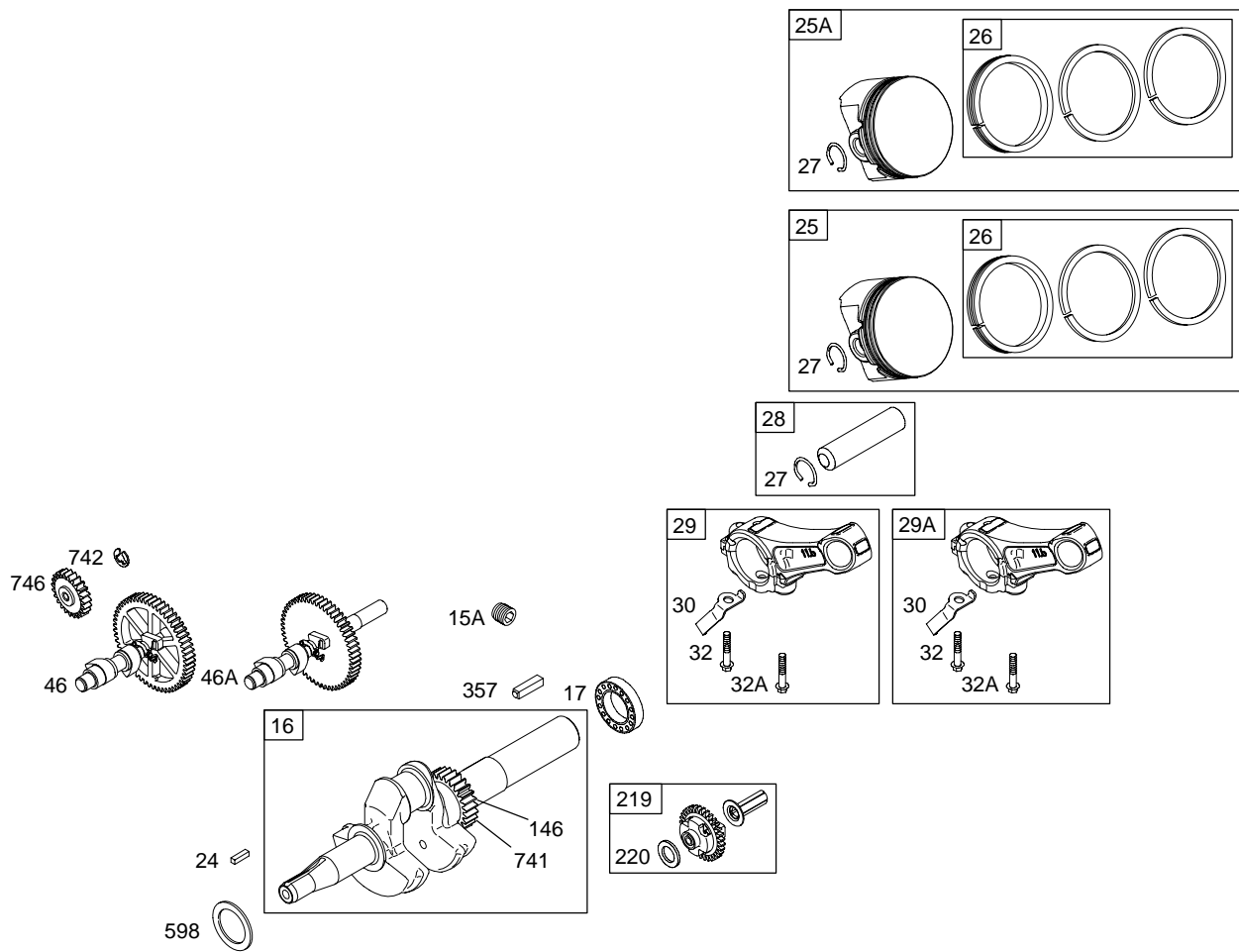
1019 LABEL KIT

1019A LABEL KIT

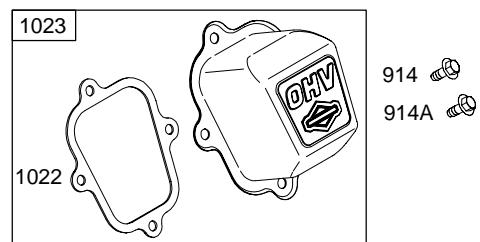
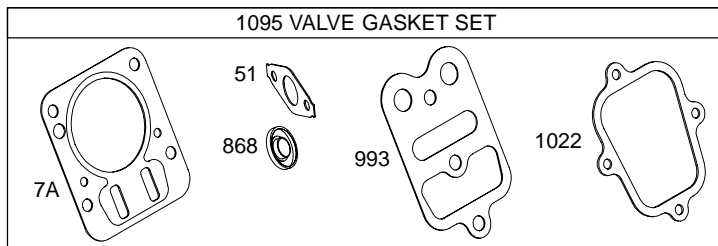
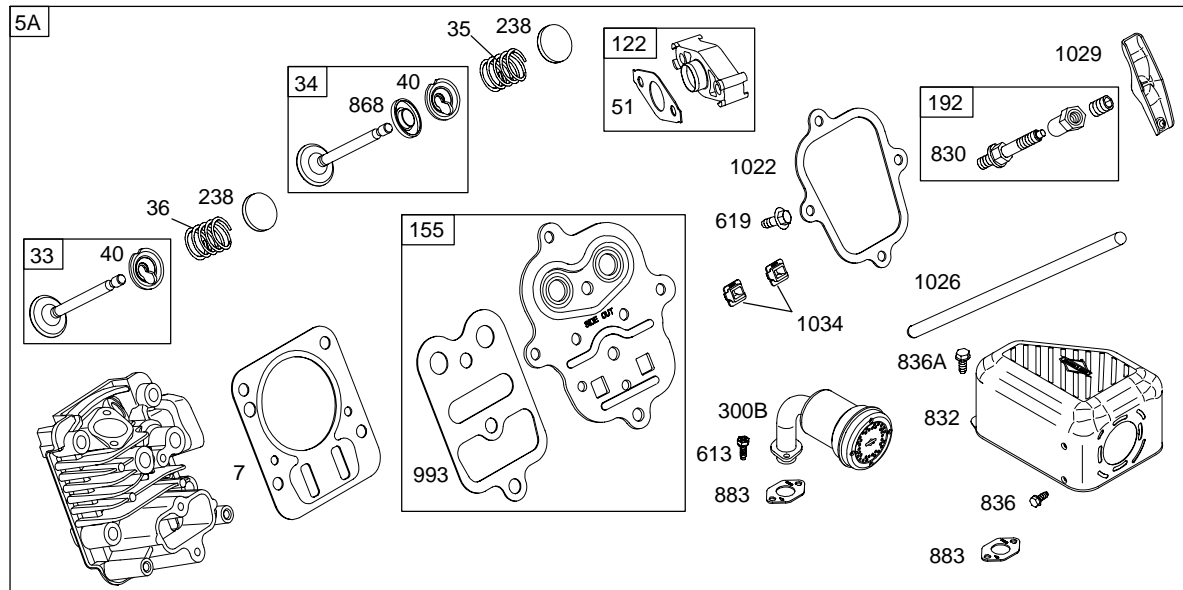
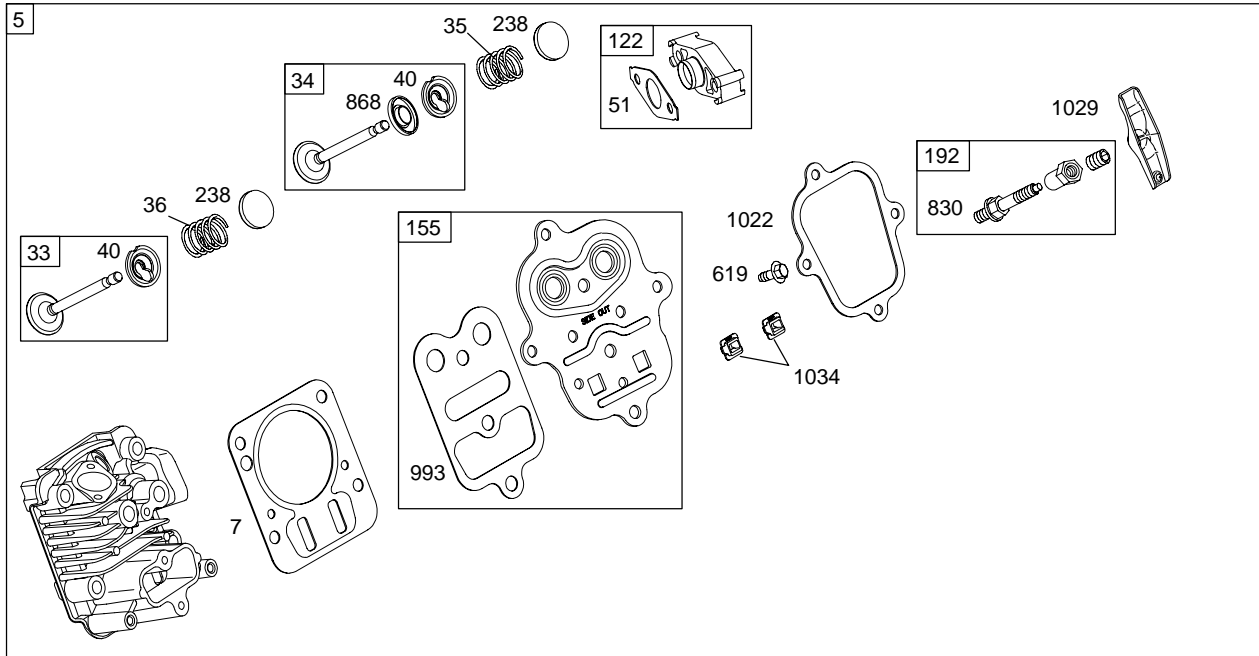
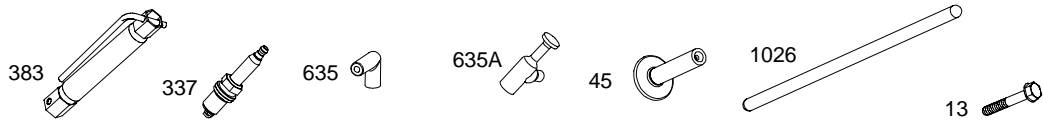
1058 OWNER'S MANUAL



Illustrations cover a range of engines. Parts shown without corresponding text may not be used on your specific engine.  
3388-2 Assemblies include all parts shown in frames. 01/02/2003

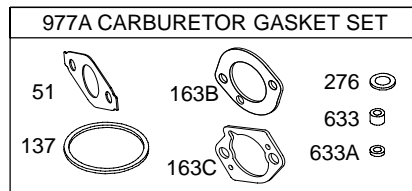
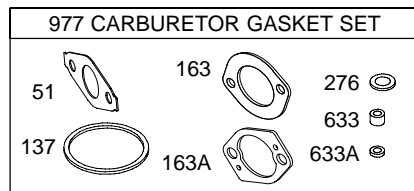
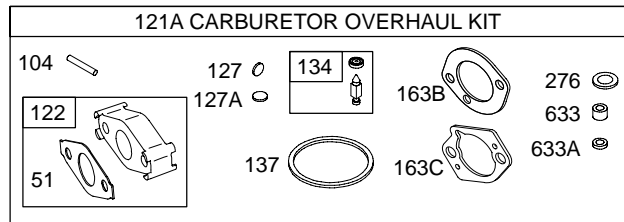
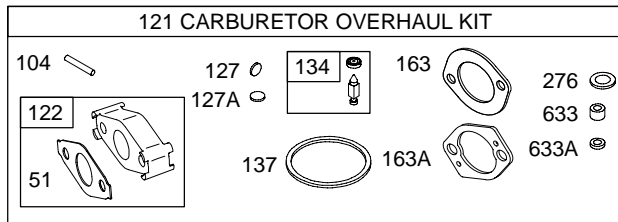
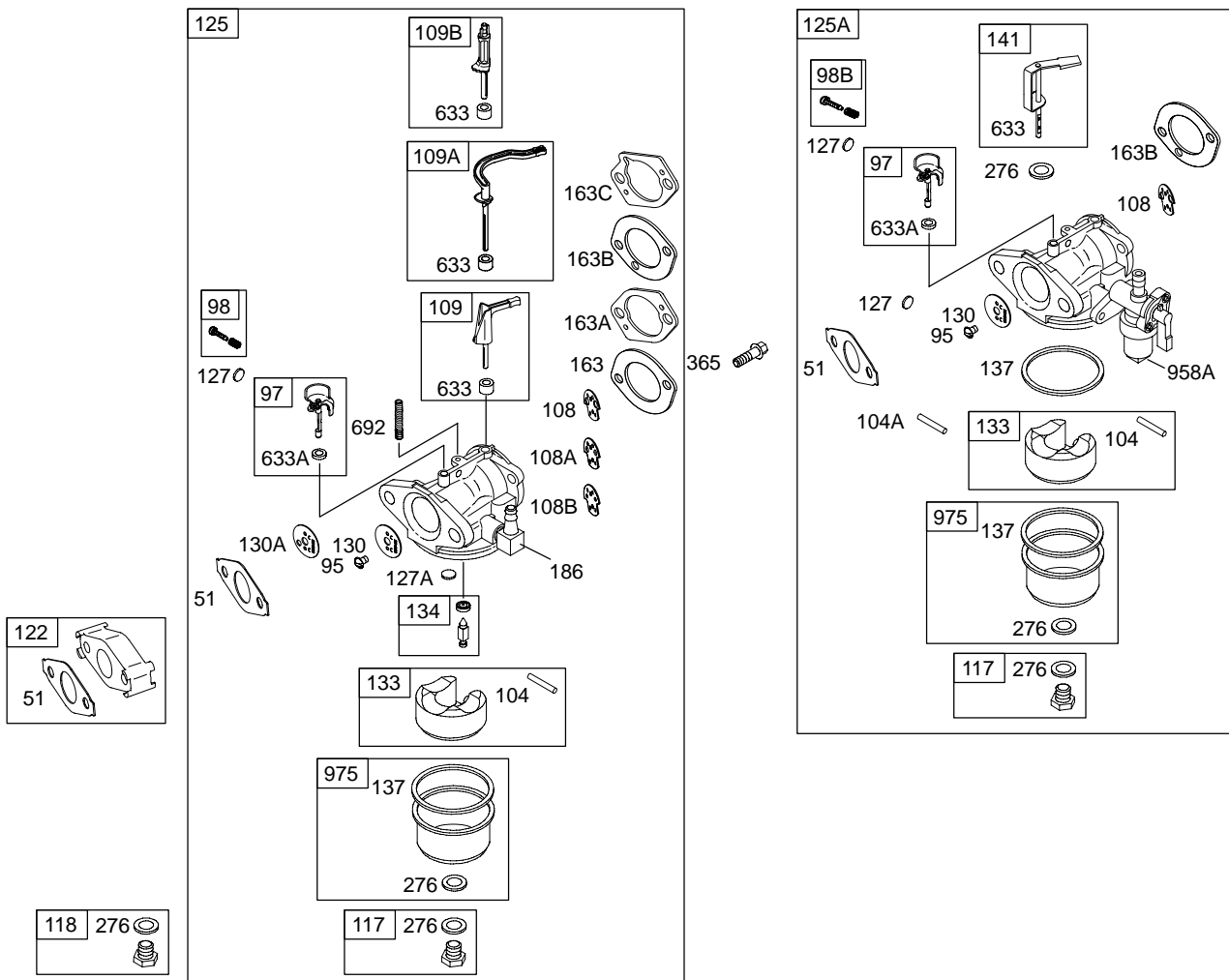


Illustrations cover a range of engines. Parts shown without corresponding text may not be used on your specific engine.  
 3388-3 Assemblies include all parts shown in frames.

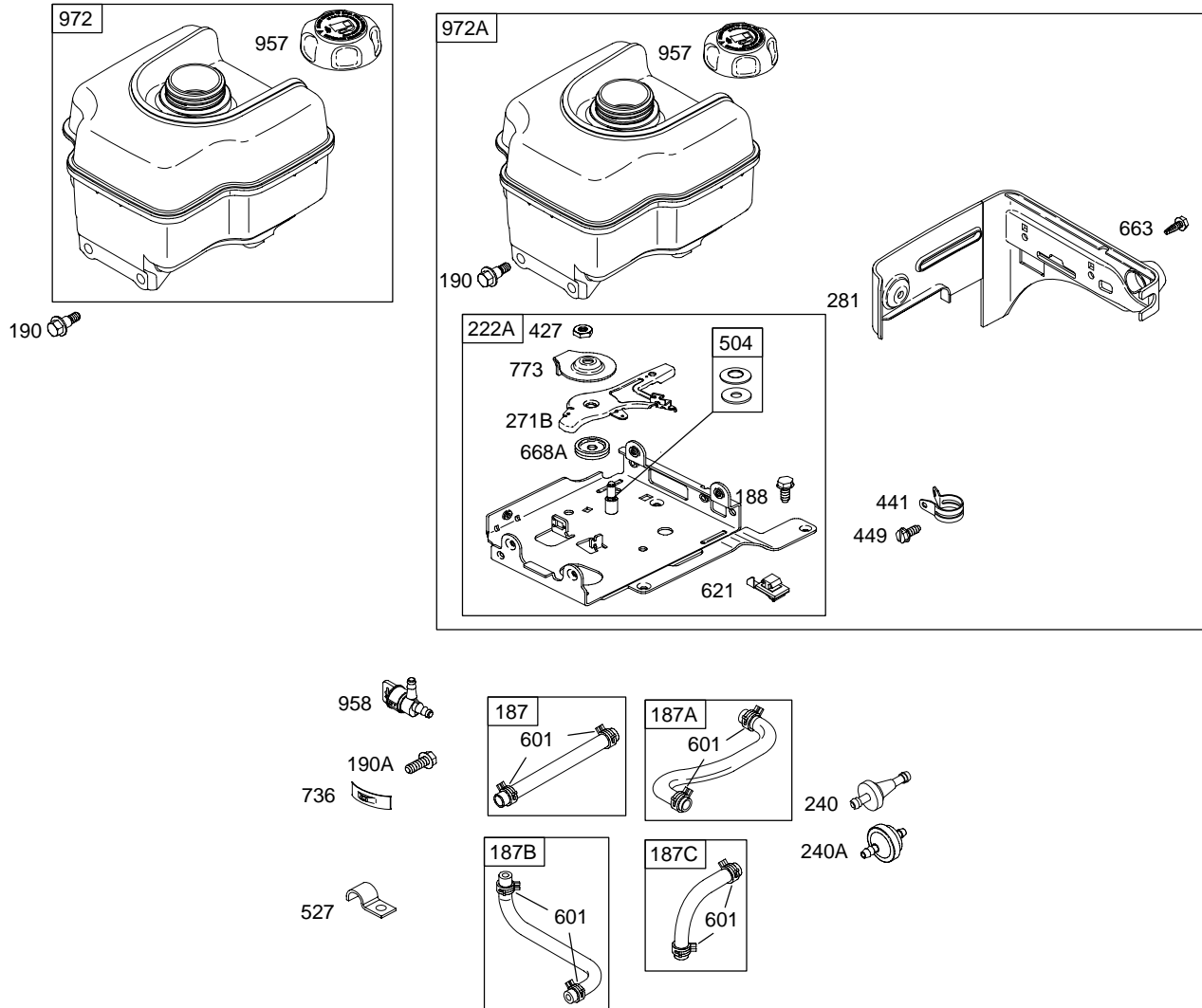


**Illustrations cover a range of engines. Parts shown without corresponding text may not be used on your specific engine.**  
**3388-4** Assemblies include all parts shown in frames. **01/02/2003**

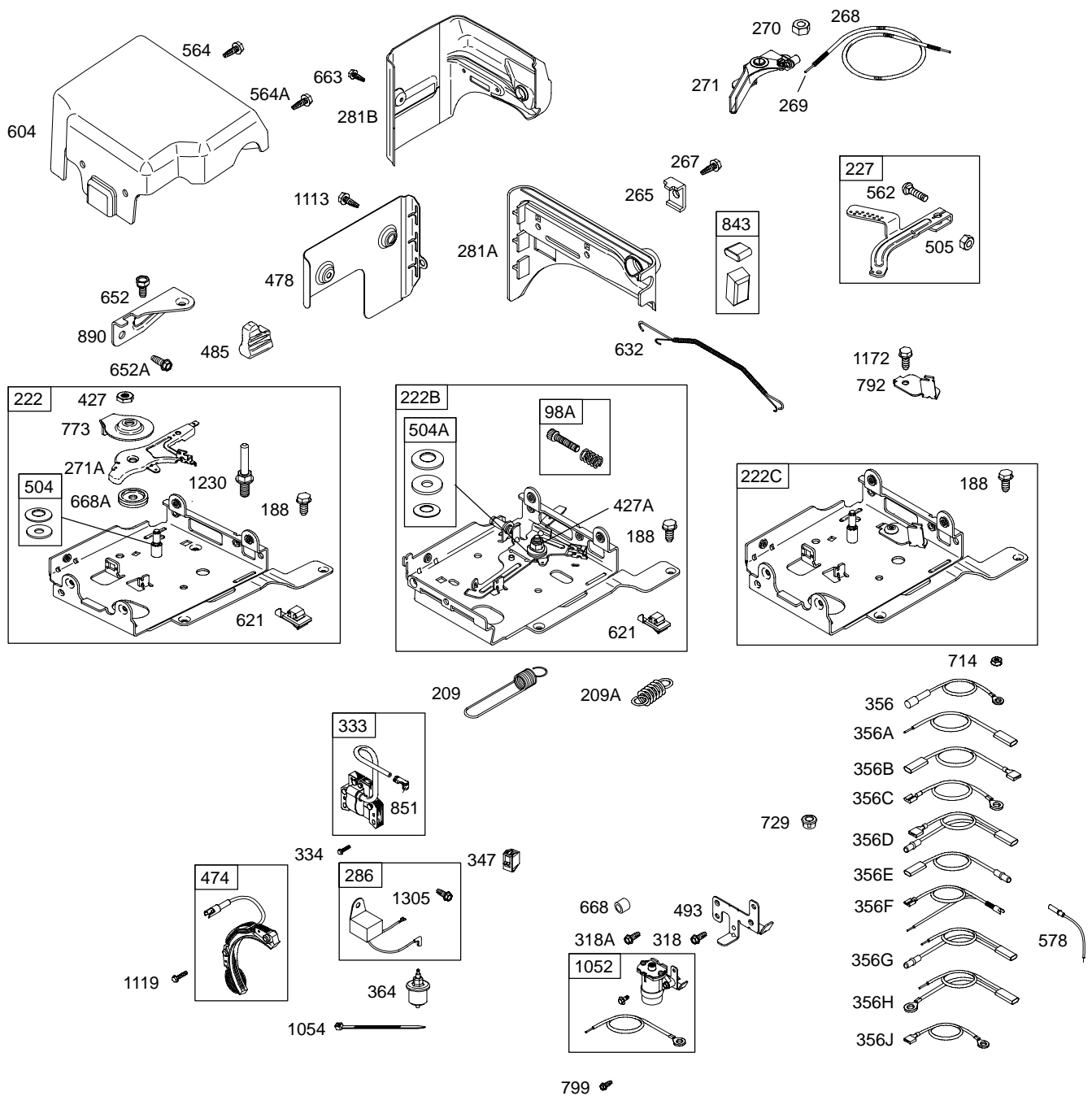
**NOTE: This Illustration Represents A Number Of Different Carburetors.  
Parts Shown May Not Be Included In All Kits**



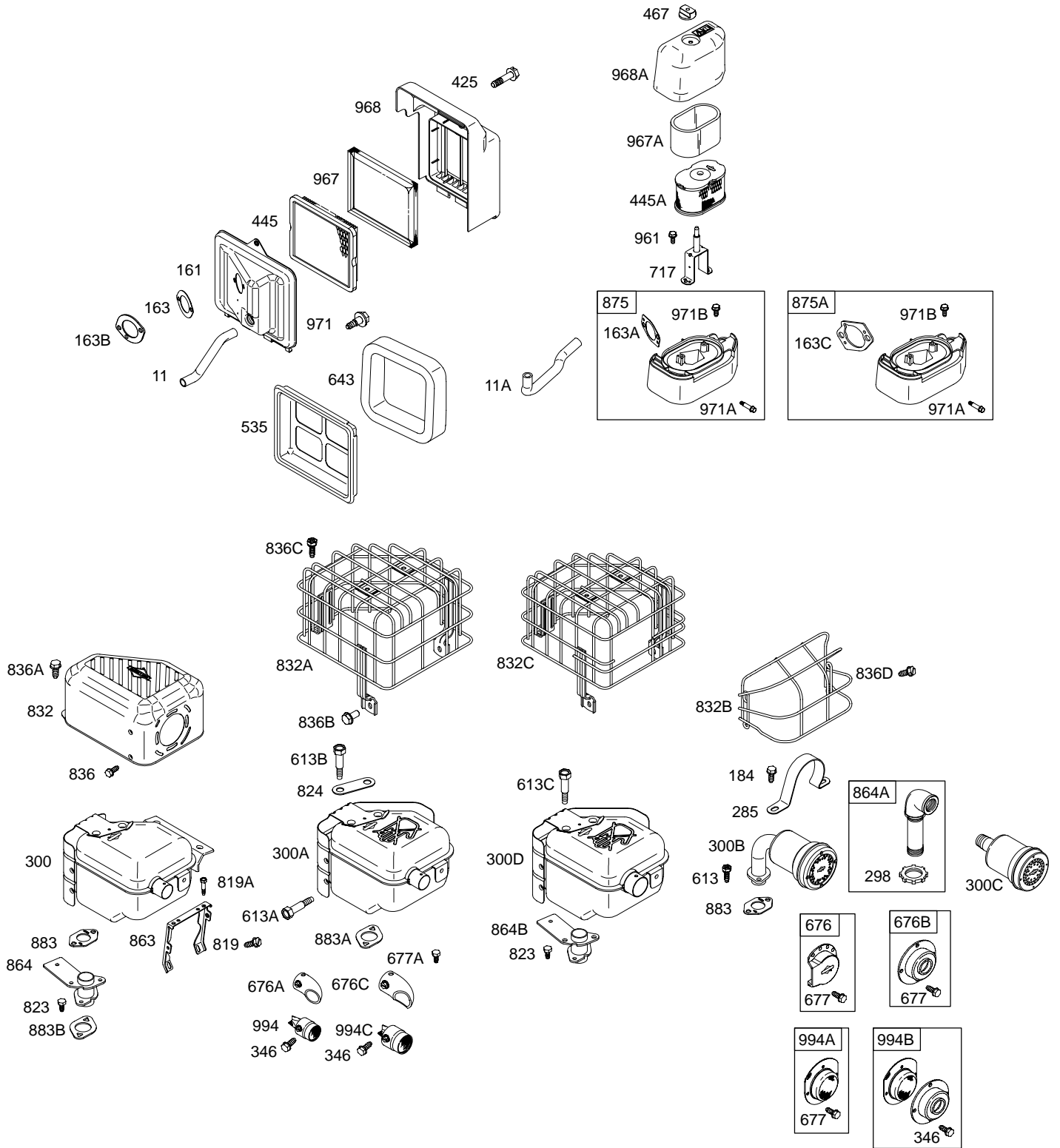
*Illustrations cover a range of engines. Parts shown without corresponding text may not be used on your specific engine.*  
3388-5 Assemblies include all parts shown in frames. 01/02/2003



*Illustrations cover a range of engines. Parts shown without corresponding text may not be used on your specific engine.*

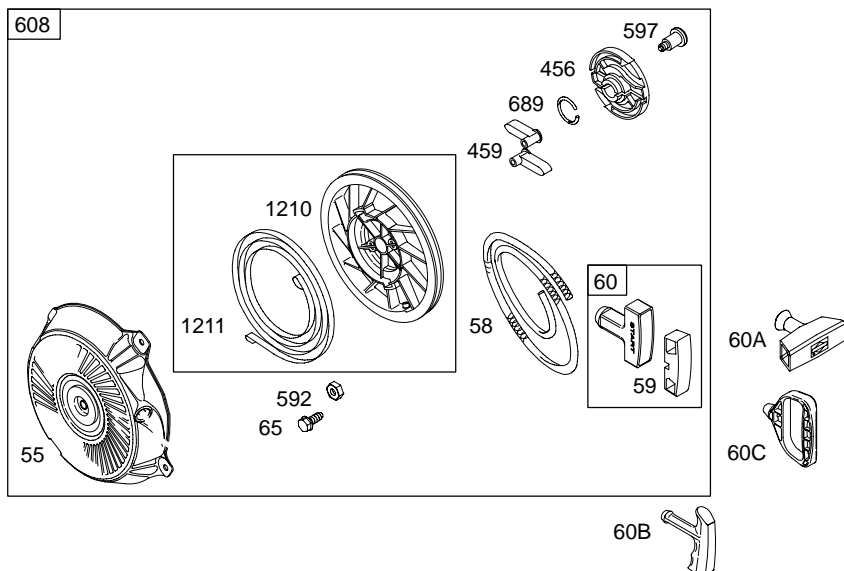
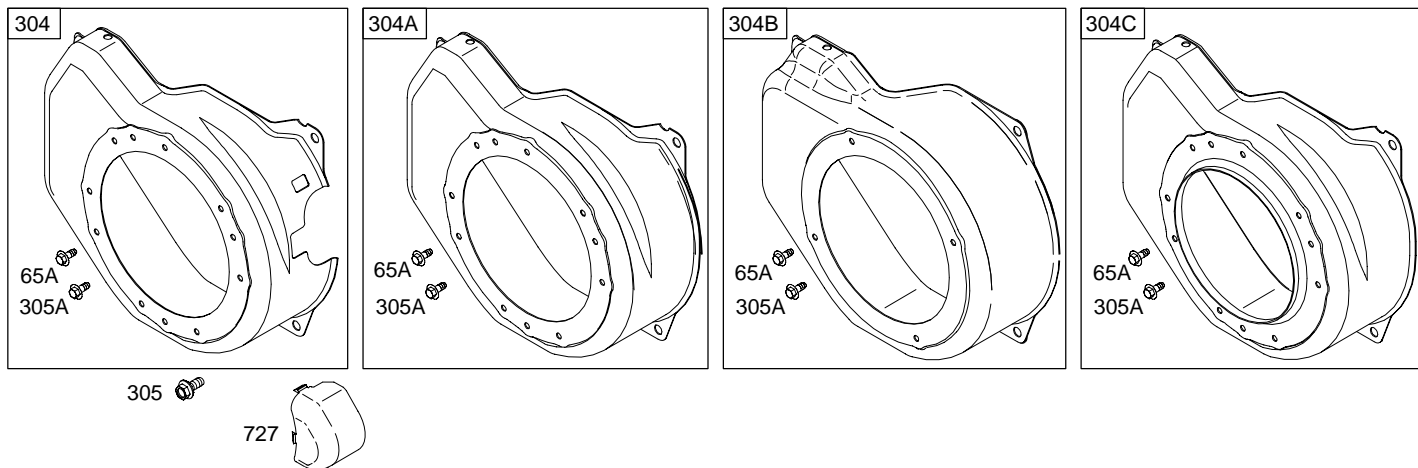
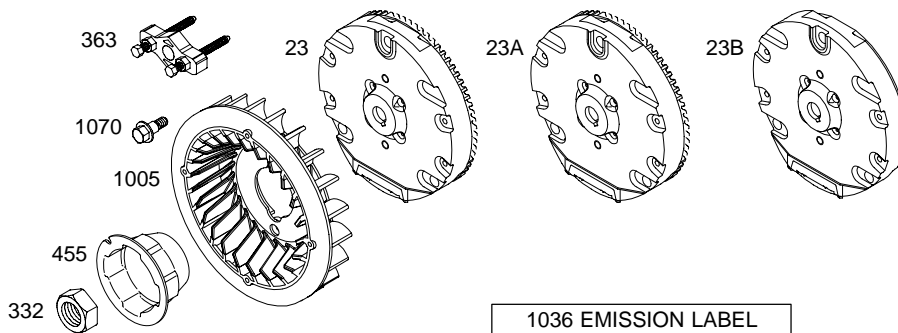


Illustrations cover a range of engines. Parts shown without corresponding text may not be used on your specific engine.  
 3388-7 Assemblies include all parts shown in frames. 01/02/2003

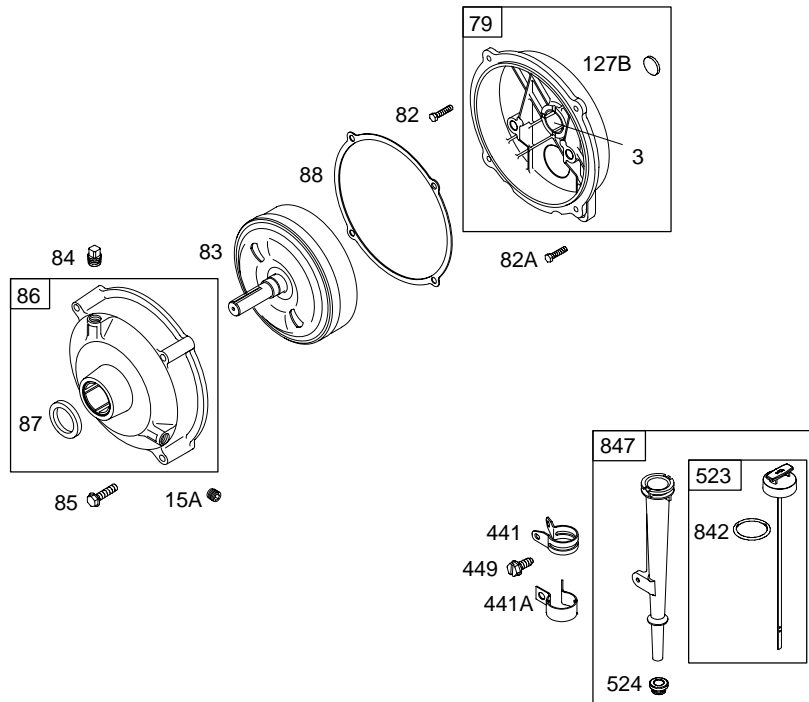
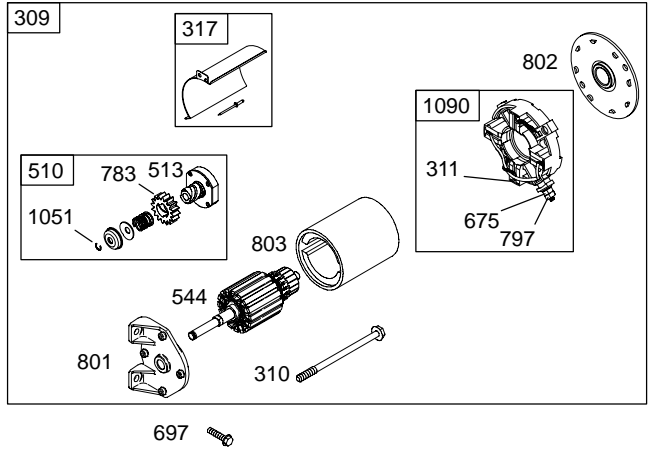


**Illustrations cover a range of engines. Parts shown without corresponding text may not be used on your specific engine.**  
**3388-8** Assemblies include all parts shown in frames. **01/02/2003**





Illustrations cover a range of engines. Parts shown without corresponding text may not be used on your specific engine.



**Illustrations cover a range of engines. Parts shown without corresponding text may not be used on your specific engine.**  
**3388-10** Assemblies include all parts shown in frames. **01/02/2003**

REF. NO.	PART NO.	DESCRIPTION	REF. NO.	PART NO.	DESCRIPTION	REF. NO.	PART NO.	DESCRIPTION
1	698483	Cylinder Assembly (Used After Code Date 02101600). <b>Note</b> ——— 698225 Cylinder Assembly (Used After Code Date 02011400 and Before Code Date 02011700). 690045 Cylinder Assembly (Used Before Code Date 02011500). 696253 Cylinder Assembly Used on Type No(s). 0050, 0157, 0162, 0196.	13	691137	Screw (Cylinder Head)			694439 Crankshaft Used on Type No(s). 0014, 0049, 0163, 0218.
			15	691686	Plug–Oil Drain (Square Head)			695237 Crankshaft Used on Type No(s). 0038, 0137, 0138, 0140, 0175, 0209, 0213, 0217, 0219.
			15A	691682	Plug–Oil Drain (Flush)			695763 Crankshaft Used on Type No(s). 0060, 0109, 0135, 0136, 0141, 0183, 0192, 0214.
			16	693403	Crankshaft (Used After Code Date 98071900). <b>Note</b> ——— 693594 Crankshaft (Used After Code Date 98071900). Used on Type No(s). 0035, 0143, 0151, 0153, 0154, 0159, 0164, 0168, 0187.			695764 Crankshaft Used on Type No(s). 0169.
					692561 Crankshaft (Used Before Code Date 98072000). 693595 Crankshaft Used on Type No(s). 0121, 0144, 0247, 0269.	17	692517	Bearing–Ball (PTO Side)
2	399269	Kit–Bushing/Seal (Magneto Side)			693596 Crankshaft Used on Type No(s). 0123, 0145.	18	693204	Cover–Crankcase Used on Type No(s). 0023, 0038, 0060, 0118, 0136, 0137, 0138, 0140, 0144, 0145, 0148, 0150, 0152, 0157, 0158, 0175, 0183, 0201, 0206, 0209, 0210, 0212, 0213, 0214, 0217, 0219, 0247, 0269.
3	*299819	Seal–Oil (Magneto Side)			693887 Crankshaft Used on Type No(s). 0023, 0070, 0115, 0116, 0117, 0118, 0139, 0148, 0150, 0152, 0157, 0158, 0161, 0194, 0201, 0206, 0216.			<b>Note</b> ——— 694466 Cover–Crankcase Used on Type No(s). 0161, 0194, 0216.
5	693643	Head–Cylinder (Used After Code Date 98071900).			694450 Crankshaft Used on Type No(s). 0033, 0133, 0156, 0167, 0184, 0189, 0198, 0202, 0207, 0211, 0220.	18A	693605	Cover–Crankcase
5A	698733	Head–Cylinder (Used Before Code Date 98072000).				18B	694833	Cover–Crankcase Used on Type No(s). 0070, 0110, 0116, 0139.
7	698210	Gasket–Cylinder Head				18C	695290	Cover–Crankcase Used on Type No(s). 0049, 0163, 0191, 0218.
11	692600	Tube–Breather (Flat Panel Air Cleaner)						
11A	693647	Tube–Breather (High Mount Air Cleaner) Used on Type No(s). 0118, 0121, 0123, 0124, 0131, 0136, 0144, 0145, 0161, 0194.						
12	*692549	Gasket–Crankcase						

★ Included in Engine Gasket Set–Ref. No.358.

● Included in Carburetor Overhaul Kit–Ref. No. 121.

◆ Included in Carburetor Gasket Set–Ref. No. 977.

⊘ Included in Valve Gasket Set–Ref. No. 1095.

**Illustrations cover a range of engines. Parts shown without corresponding text may not be used on your specific engine.**

# 121400

REF. NO.	PART NO.	DESCRIPTION	REF. NO.	PART NO.	DESCRIPTION	REF. NO.	PART NO.	DESCRIPTION
20	★692550	Seal–Oil (PTO Side)	27	691866	Lock–Piston Pin	58	693389	Rope–Starter (Cut to Required Length)
20A	★691952	Seal–Oil (PTO Side) (Auxiliary Drive) Used on Type No(s). 0070, 0110, 0116, 0139.	28	499423	Pin–Piston			(Used After Code Date 98071900).
20B	★694171	Seal–Oil (PTO Side)	29	690124	Rod–Connecting			———— <b>Note</b> ————
21	281658	Cap–Oil Fill	30	692562	Dipper–Connecting Rod			<b>280399</b> Rope–Starter (Cut to Required Length)
22	692551	Screw (Crankcase Cover/Sump)	32	691664	Screw (Connecting Rod)			(Used Before Code Date 98072000).
23	694902	Flywheel (Electric Start) Used on Type No(s). 0050, 0157, 0162, 0196, 0217, 0247.	32A	695759	Screw (Connecting Rod)	59	805957	Insert–Grip
23B	692987	Flywheel (Rewind Start)	33	499642	Valve–Exhaust	60	715257	Grip–Starter Rope (2 Piece) (Used After Code Date 98071900).
24	222698	Key–Flywheel	34	499641	Valve–Intake			———— <b>Note</b> ————
25	499627	Piston Assembly (Standard)	35	691304	Spring–Valve (Intake)			<b>393152</b> Grip–Starter Rope (2 Piece) (Used Before Code Date 98072000).
		———— <b>Note</b> ————	36	691304	Spring–Valve (Exhaust)	60B	281434	Grip–Starter Rope
		<b>692788</b> Piston Assembly (.010" Oversize)	40	692194	Retainer–Valve	65	690837	Screw (Rewind Starter)
		<b>692789</b> Piston Assembly (.020" Oversize)	45	690977	Tappet–Valve	65A	692608	Screw (Rewind Starter)
		<b>692790</b> Piston Assembly (.030" Oversize)	46	693404	Camshaft (Used After Code Date 98061400).	79	694511	Case–Gear Reduction
26	499631	Ring Set (Standard)			———— <b>Note</b> ————	82	690369	Screw (Gear Reduction Case)
		———— <b>Note</b> ————	46A	694831	Camshaft Used on Type No(s). 0070, 0110, 0116.	82A	691122	Screw (Gear Reduction Case)
		<b>697367</b> Ring Set (Chrome)(Standard)			———— <b>Note</b> ————	83	690374	Shaft–Auxiliary Drive
		<b>692785</b> Ring Set (.010" Oversize)	51★♦♦	692555	Gasket–Intake	84	691121	Plug–Breather
		<b>692786</b> Ring Set (.020" Oversize)	55	691422	Housing–Rewind Starter	85	692551	Screw (Gear Cover to Gear Reduction)
		<b>692787</b> Ring Set (.030" Oversize)				86	690608	Cover–Gear
						87	691582	Seal–Gear Reduction
						88	691600	Gasket–Gear Reduction Cover

★ Included in Engine Gasket Set–Ref. No.358.

● Included in Carburetor Overhaul Kit–Ref. No. 121.

♦ Included in Carburetor Gasket Set–Ref. No. 977.

⊙ Included in Valve Gasket Set–Ref. No. 1095.

**Illustrations cover a range of engines. Parts shown without corresponding text may not be used on your specific engine.**

REF. NO.	PART NO.	DESCRIPTION	REF. NO.	PART NO.	DESCRIPTION	REF. NO.	PART NO.	DESCRIPTION
95	691636	Screw (Throttle Valve)		698344	Jet–Main (Standard) (Used After Code Date 02103100). Used on Type No(s). 0118, 0121, 0123, 0124, 0131, 0136, 0144, 0145, 0161, 0194, 0214, 0216.		694176	Jet–Main (High Altitude) (Used After Code Date 02103100). Used on Type No(s). 0118, 0121, 0123, 0124, 0131, 0136, 0144, 0145, 0161, 0194, 0214, 0216.
97	690024	Shaft–Throttle		690048	Jet–Main (Standard) Used on Type No(s). 0118, 0121, 0123, 0124, 0131, 0136, 0144, 0145, 0161, 0194, 0214, 0216.		493763	Jet–Main (High Altitude) Used on Type No(s). 0118, 0121, 0123, 0124, 0131, 0136, 0144, 0145, 0161, 0194, 0214, 0216.
98	398185	Kit–Idle Speed (Carburetor)		498976	Jet–Main (Standard) Used on Type No(s). 0033, 0038, 0133, 0137, 0138, 0140, 0156, 0167, 0175, 0184, 0189, 0198, 0202, 0207, 0210, 0211, 0212, 0213, 0217, 0220.		498976	Jet–Main (High Altitude) Used on Type No(s). 0110, 0115, 0116, 0117.
98A	493280	Kit–Idle Speed (Control Bracket)		690048	Jet–Main (Standard) Used on Type No(s). 0110, 0115, 0116, 0117.		498976	Jet–Main (High Altitude) Used on Type No(s). 0110, 0115, 0116, 0117.
104	691242	Pin–Float Hinge		690048	Jet–Main (Standard) Used on Type No(s). 0110, 0115, 0116, 0117.		498976	Jet–Main (High Altitude) Used on Type No(s). 0110, 0115, 0116, 0117.
108	695807	Valve–Choke Used on Type No(s). 0110, 0115, 0116, 0117.		690048	Jet–Main (Standard) Used on Type No(s). 0110, 0115, 0116, 0117.		498976	Jet–Main (High Altitude) Used on Type No(s). 0110, 0115, 0116, 0117.
108A	691182	Valve–Choke (.223" Diameter Holes, Stamped 223471)		690048	Jet–Main (Standard) Used on Type No(s). 0110, 0115, 0116, 0117.		498976	Jet–Main (High Altitude) Used on Type No(s). 0110, 0115, 0116, 0117.
108B	692567	Valve–Choke (.156" Diameter Holes, Stamped 224449)		690048	Jet–Main (Standard) Used on Type No(s). 0110, 0115, 0116, 0117.		498976	Jet–Main (High Altitude) Used on Type No(s). 0110, 0115, 0116, 0117.
109	690023	Shaft–Choke (Straight Handle)		690048	Jet–Main (Standard) Used on Type No(s). 0110, 0115, 0116, 0117.		498976	Jet–Main (High Altitude) Used on Type No(s). 0110, 0115, 0116, 0117.
109A	695729	Shaft–Choke (Curved Handle) Used on Type No(s). 0110, 0115, 0116, 0117.		690048	Jet–Main (Standard) Used on Type No(s). 0110, 0115, 0116, 0117.		498976	Jet–Main (High Altitude) Used on Type No(s). 0110, 0115, 0116, 0117.
109B	693628	Shaft–Choke (No Handle) Used on Type No(s). 0118, 0121, 0123, 0124, 0131, 0136, 0144, 0145, 0161, 0194, 0214, 0216.		690048	Jet–Main (Standard) Used on Type No(s). 0110, 0115, 0116, 0117.		498976	Jet–Main (High Altitude) Used on Type No(s). 0110, 0115, 0116, 0117.
117	690048	Jet–Main (Standard) (Used After Code Date 02092900).  ———— <b>Note</b> ———— <b>691428</b> Jet–Main (Standard) (Used Before Code Date 02093000).	118	498976	Jet–Main (High Altitude) (Used After Code Date 02092900).  ———— <b>Note</b> ———— <b>690048</b> Jet–Main (High Altitude) (Used Before Code Date 02093000).	121	695157	Kit–Carburetor Overhaul
						122	693749	Spacer–Carburetor (Used After Code Date 98071900).  ———— <b>Note</b> ———— <b>690043</b> Spacer– Carburetor (Used Before Code Date 98072000).

★ Included in Engine Gasket Set–Ref. No.358.

● Included in Carburetor Overhaul Kit–Ref. No. 121.

◆ Included in Carburetor Gasket Set–Ref. No. 977.

⊗ Included in Valve Gasket Set–Ref. No. 1095.

**Illustrations cover a range of engines. Parts shown without corresponding text may not be used on your specific engine.**

# 121400

REF. NO.	PART NO.	DESCRIPTION	REF. NO.	PART NO.	DESCRIPTION	REF. NO.	PART NO.	DESCRIPTION
125	698474	Carburetor (High Vent) (Used After Code Date 02092900). <b>Note</b> ——— <b>690046</b> Carburetor (Used Before Code Date 02093000). <b>698475</b> Carburetor (High Vent) (Used After Code Date 02103100). Used on Type No(s). 0118, 0121, 0123, 0124, 0131, 0136, 0144, 0145, 0161, 0194, 0214, 0216. <b>693518</b> Carburetor (Used Before Code Date 02110100). Used on Type No(s). 0118, 0121, 0123, 0124, 0131, 0136, 0144, 0145, 0161, 0194, 0214, 0216. <b>694508</b> Carburetor Used on Type No(s). 0033, 0038, 0133, 0137, 0138, 0140, 0156, 0167, 0175, 0184, 0189, 0198, 0202, 0207, 0209, 0210, 0211, 0212, 0213, 0217, 0219, 0220. <b>695727</b> Carburetor Used on Type No(s). 0110, 0115, 0116, 0117.	127B	691585	Plug–Welch (7/8" Diameter)	163B	696024	Gasket–Air Cleaner (High Vent) (Used After Code Date 02092900).
			130	691181	Valve–Throttle			
			130A	691203	Valve–Throttle Used on Type No(s). 0033, 0038, 0133, 0137, 0138, 0140, 0156, 0167, 0175, 0184, 0189, 0198, 0202, 0207, 0209, 0210, 0211, 0212, 0213, 0217, 0220.	163C	696979	Gasket–Air Cleaner (High Vent) (Used After Code Date 02103100). Used on Type No(s). 0118, 0121, 0123, 0124, 0131, 0136, 0144, 0145, 0161, 0194, 0214, 0216.
			133	398187	Float–Carburetor			
			134	●398188	Kit–Needle/Seat	184	691685	Screw (Muffler Strap)
			137	◆693981	Gasket–Float Bowl	186	692317	Connector–Hose
			146	690979	Key–Timing	187	691050	Line–Fuel (Straight) (Cut to Required Length)
			155	698214	Plate–Cylinder Head	187A	692601	Line–Fuel (Molded)
			161	696063	Base–Air Cleaner (Flat Panel Air Cleaner) (Used After Code Date 02100700). <b>Note</b> ——— <b>692579</b> Base–Air Cleaner (Flat Panel Air Cleaner) (Used Before Code Date 02100800).	187B	693401	Line–Fuel (Molded)
						187C	694486	Line–Fuel (Molded)
						188	690877	Screw (Control Bracket)
			163	◆◆272948	Gasket–Air Cleaner (Flat Panel) (Used Before Code Date 02093000).	190	692127	Screw (Fuel Tank)
			163A	◆◆693458	Gasket–Air Cleaner (High Mount) (Used Before Code Date 02110100). Used on Type No(s). 0118, 0121, 0123, 0124, 0131, 0136, 0144, 0145, 0161, 0194, 0214, 0216.	190A	690877	Screw (Nut Clip) (Used After Code Date 98071900).
						192	694543	Adjustor–Rocker Arm
127	●691739	Plug–Welch (5/16" Diameter)						
127A	694468	Plug–Welch (3/8" Diameter)						

★ Included in Engine Gasket Set–Ref. No.358.

● Included in Carburetor Overhaul Kit–Ref. No. 121.

◆ Included in Carburetor Gasket Set–Ref. No. 977.

⊘ Included in Valve Gasket Set–Ref. No. 1095.

**Illustrations cover a range of engines. Parts shown without corresponding text may not be used on your specific engine.**

REF. NO.	PART NO.	DESCRIPTION	REF. NO.	PART NO.	DESCRIPTION	REF. NO.	PART NO.	DESCRIPTION
209	692571	Spring–Governor (Silver) ———— <b>Note</b> ———— <b>693710</b> Spring–Governor (Black) Used on Type No(s). 0131, 0139. <b>693206</b> Spring–Governor (Yellow) Used on Type No(s). 0023, 0033, 0035, 0038, 0060, 0070, 0134, 0138, 0140, 0141, 0143, 0151, 0153, 0154, 0159, 0168, 0169, 0175, 0184, 0187, 0192, 0198, 0211, 0217, 0219, 0220.	268	691025	Casing–Control Wire (72" Long) (Cut to Required Length)	300C	692580	Muffler (Lo Tone) (Used Before Code Date 98072000).
209A	691278	Spring–Governed Idle	269	691026	Wire–Control (78" Long) (Cut to Required Length)	300D	697813	Muffler (Used After Code Date 02031700). ———— <b>Note</b> ———— <b>698843</b> Muffler Used on Type No(s). 0212.
219	693578	Gear–Governor (Used After Code Date 98072600). ———— <b>Note</b> ———— <b>492752</b> Gear–Governor (Used Before Code Date 98072700).	270	691027	Nut (Control Wire Casing)	304	697910	Housing–Blower (Electric Start) (Black) (Used After Code Date 02021400). Used on Type No(s). 0050, 0136, 0157, 0162, 0196, 0247. ———— <b>Note</b> ———— <b>697911</b> Housing–Blower (Electric Start) (Black) (Used After Code Date 02021400). Used on Type No(s). 0112, 0120, 0128, 0131, 0134, 0141, 0159, 0168, 0169, 0183, 0189, 0190, 0191, 0192, 0197, 0219.
220	691724	Washer (Governor Gear)	271	691028	Lever–Control			
222A	694253	Bracket–Control (Used After Code Date 99070400).	271B	694256	Lever–Control (Used After Code Date 99070400).			
222B	694263	Bracket–Control (Used Before Code Date 99070500).	276 ♦	271716	Washer–Sealing			
227	692573	Lever–Governor Control	281	694252	Panel–Control (Used After Code Date 99070400).			
238	691300	Cap–Valve	281A	693407	Panel–Control (Used Before Code Date 99070500).			
240	694485	Filter–Fuel	285	692595	Strap–Muffler			
240A	298090	Filter–Fuel	286	698611	Module–Oil Sensor (Used After Code Date 03010500). ———— <b>Note</b> ———— <b>698317</b> Module–Oil Sensor (Used Before Code Date 03010600). <b>698316</b> Module–Oil Sensor (Used Before Code Date 03010600). (Used on Electric Start Engines)			
265	691024	Clamp–Casing	298	690453	Locknut–Muffler/Elbow			
267	692577	Screw (Casing Clamp)	300A	694429	Muffler (Super Lo Tone) (Used Before Code Date 02031800).			
			300B	693593	Muffler (Lo Tone) (Used After Code Date 98071900).			

★ Included in Engine Gasket Set–Ref. No.358.

● Included in Carburetor Overhaul Kit–Ref. No. 121.

♦ Included in Carburetor Gasket Set–Ref. No. 977.

⊘ Included in Valve Gasket Set–Ref. No. 1095.

**Illustrations cover a range of engines. Parts shown without corresponding text may not be used on your specific engine.**

# 121400

REF. NO.	PART NO.	DESCRIPTION	REF. NO.	PART NO.	DESCRIPTION	REF. NO.	PART NO.	DESCRIPTION
<b>304A</b>	<b>697909</b>	Housing-Blower (Rewind Start) (Black) (Used After Code Date 02021400).	<b>317</b>	<b>695494</b>	Cover-Starter Used on Type No(s). 0050, 0157, 0162, 0196.	<b>346</b>	<b>690661</b>	Screw (Spark Arrestor)
		<b>Note</b> _____	<b>318A</b>	<b>690370</b>	Screw (Mounting Bracket)	<b>347</b>	<b>696213</b>	Switch-Rocker (3 Tines, No ON/OFF Marking, 3 Position, Non-Lighted)
		<b>693621</b> Housing- Blower (Used After Code Date 98071900 and Before Code Date 02021500).	<b>332</b>	<b>690662</b>	Nut (Flywheel)			<b>Note</b> _____
<b>304B</b>	<b>692589</b>	Housing-Blower (Used Before Code Date 98072000).	<b>333</b>	<b>695711</b>	Armature-Magneto			<b>692599</b> Switch-Rocket (2 Tines, ON/OFF Marking, 2 Position, Non-Lighted)
<b>305</b>	<b>690960</b>	Screw (Blower Housing)	<b>334</b>	<b>691061</b>	Screw (Magneto Armature)			
<b>305A</b>	<b>691140</b>	Screw (Blower Housing)	<b>337</b>	<b>491055</b>	Plug-Spark (Resistor)			
<b>306</b>	<b>693610</b>	Shield-Cylinder (Used After Code Date 98071900).			<b>Note</b> _____			
<b>306A</b>	<b>692552</b>	Shield-Cylinder (Used Before Code Date 98072000).			<b>691043</b> Plug-Spark Used on Type No(s). 0038, 0102, 0133, 0134, 0136, 0137, 0138, 0139, 0141, 0143, 0144, 0145, 0155, 0156, 0162, 0163, 0164, 0165, 0167, 0168, 0174, 0183, 0184, 0186, 0187, 0189, 0190, 0191, 0192, 0195, 0196, 0197, 0198, 0202, 0207, 0209, 0210, 0211, 0213, 0214, 0220.			
<b>307</b>	<b>690345</b>	Screw (Cylinder Shield)						
<b>309</b>	<b>694504</b>	Motor-Starter						
<b>310</b>	<b>690323</b>	Bolt (Starter Motor)						
<b>311</b>	<b>497608</b>	Brush Set						

★ Included in Engine Gasket Set-Ref. No.358.

● Included in Carburetor Overhaul Kit-Ref. No. 121.

◆ Included in Carburetor Gasket Set-Ref. No. 977.

⊗ Included in Valve Gasket Set-Ref. No. 1095.

**Illustrations cover a range of engines. Parts shown without corresponding text may not be used on your specific engine.**

3388-16

Assemblies include all parts shown in frames.

01/02/2003



REF. NO.	PART NO.	DESCRIPTION	REF. NO.	PART NO.	DESCRIPTION	REF. NO.	PART NO.	DESCRIPTION
356	693650	Wire-Stop (1 Wire, 6-1/4" Long) (Ring Terminal, And Push-On Insulated Pin Socket)	356H	398808	Wire-Stop (2 Wires 15" And 15-11/16" Long) (Snap Connected Insulated Female Blade Terminal, Ring Terminal, And Bare Wire End)	441	694262	Bracket-Oil Fill (Used After Code Date 99070400).
356A	692390	Wire-Stop (1 Wire, 17" Long) (Snap Connect Insulated Female Blade Terminal, And Bare Wire End)	357	691483	Key-Drive Pulley Used on Type No(s). 0214.	441A	693616	Bracket-Oil Fill (Used Before Code Date 99070500).
356B	692602	Wire-Stop (1 Wire, 14" Long) (Snap Connect Insulated Female Blade Terminal, And Insulated Push-On Female Blade Terminal)	358	695155	Gasket Set-Engine (Used After Code Date 98071900).	445	491588	Filter-Air Cleaner Cartridge (Flat Panel)
356C	695630	Wire-Stop (1 Wire, 6-1/2" Long) (Push-On Female Blade Terminal, And Ring Terminal)			<b>Note</b> 690031 Gasket Set-Engine (Used Before Code Date 98072000).	445A	697029	Filter-Air Cleaner Cartridge (High Mount)
356D	693651	Wire-Stop (2 Wires, 14" And 10" Long)(Snap Connect Insulated Female Blade Terminal, Insulated Push-On Female Blade Terminal And Snap Connect Insulated Female Blade Terminal)	358A	697000	Gasket Set-Engine (High Vent)	449	691693	Screw (Oil Fill Bracket)
356E	694372	Wire-Stop	363	19069	Puller-Flywheel	455	692591	Cup-Flywheel
356G	695814	Wire-Stop (2 Wires 15-3/4" And 10" Long)(Snap Connected Insulated Female Blade Terminal, Snap Connected Insulated Pin Socket, And Bare Wire End)	364	695693	Terminal-Oil Plug	456	692299	Plate-Pawl Friction
			365	692568	Screw (Carburetor)	459	281505	Pawl-Ratchet
			383	19374	Wrench-Spark Plug	467	691668	Knob-Air Cleaner
			415	693463	Plug (Crankcase Cover/Sump)	474	694457	Alternator
			425	692583	Screw (Air Cleaner Cover)	478	693709	Panel (Used Before Code Date 99070500).
			427	694255	Nut (Control Bracket) (Used After Code Date 99070400).	493	693599	Bracket-Mounting
			427A	692575	Nut (Control Bracket) (Used Before Code Date 99070500).	504	694254	Washer Set-Friction (Used After Code Date 99070400).
						504A	495659	Washer Set-Friction (Used Before Code Date 99070500).
						505	691251	Nut (Governor Control Lever)
						510	499308	Drive-Starter
						513	692024	Drive-Clutch
						522	697689	Plug-Dipstick/Fill Used on Type No(s). 0206, 0247, 0269.
						523	693618	Dipstick
						524	281370	Seal-Dipstick Tube
						529	692553	Grommet (Used Before Code Date 98040700).
						544	692966	Armature-Starter

★ Included in Engine Gasket Set-Ref. No.358.

● Included in Carburetor Overhaul Kit-Ref. No. 121.

◆ Included in Carburetor Gasket Set-Ref. No. 977.

⊘ Included in Valve Gasket Set-Ref. No. 1095.

**Illustrations cover a range of engines. Parts shown without corresponding text may not be used on your specific engine.**

# 121400

REF. NO.	PART NO.	DESCRIPTION	REF. NO.	PART NO.	DESCRIPTION	REF. NO.	PART NO.	DESCRIPTION
552	692346	Bushing—Governor Crank	633	◆◆691321	Seal—Choke/Throttle Shaft	689	691855	Spring—Friction (Rewind Starter)
562	94852	Bolt (Governor Control Lever)	633A	◆◆693867	Seal—Choke/Throttle Shaft	692	690572	Spring—Detent (Choke)
564	692577	Screw (Control Cover)	635	692076	Boot—Spark Plug	697	690372	Screw (Drive Cap)
564A	692198	Screw (Control Cover)	635A	692927	Boot—Spark Plug	714	693649	Nut (Stop Wire)
592	690800	Nut (Rewind Starter)	652	691108	Screw (Support Bracket)	717	693462	Bracket—Air Cleaner
597	691696	Screw (Pawl Friction Plate)	652A	695629	Screw (Support Bracket)	718	690959	Pin—Locating
601	95162	Clamp—Hose	663	694593	Screw (Control Panel)	727	694467	Cover—Starter Drive
604	697326	Cover—Control Used on Type No(s). 0137, 0140, 0209, 0217, 0219, 0220.	668	693604	Spacer (Oil Sensor)	729	694371	Clip—Wire Used on Type No(s). 0050, 0157, 0162.
608	693394	Starter—Rewind	668A	694257	Spacer (Control Bracket)	736	693560	Nut—Clip (Used After Code Date 98071900).
613	691665	Screw (Muffler)	675	691261	Washer (Brush Retainer)	741	692565	Gear—Timing
613A	694460	Screw (Muffler) (Used Before Code Date 02031800).	676	393757	Deflector—Muffler (Side Out)			<b>Note</b>
613B	691108	Screw (Muffler)	676A	696029	Deflector—Muffler (Side Out) (Used Before Code Date 02031800). Used on Type No(s). 0139, 0155, 0156, 0162, 0163, 0164, 0165, 0167, 0186, 0196, 0201.	742	692564	Retainer—E Ring
613C	697812	Screw (Muffler) (Used After Code Date 02031700).	676C	697816	Deflector—Muffler (Used After Code Date 02031700). Used on Type No(s). 0139, 0155, 0156, 0162, 0163, 0164, 0165, 0167, 0186, 0196, 0201, 0214.	746	692566	Gear—Idler
615	692576	Retainer—Governor				773	694258	Retainer (Control Bracket)
616	692547	Crank—Governor				783	692353	Gear—Pinion
619	691108	Screw (Cylinder Head Plate)				792	694259	Bracket—Fixed Speed (Used After Code Date 99070400).
621	692310	Switch—Stop				797	691029	Nut (Brush Retainer)
632	693408	Spring/Link—Mechanical Governor (Used After Code Date 98071900).	677	690661	Screw (Muffler Deflector)	799	693609	Screw (Oil Sensor)
		<b>Note</b> 692653 Spring/Link—Mechanical Governor (Used Before Code Date 98072000).	677A	691627	Screw (Muffler Deflector)			

★ Included in Engine Gasket Set—Ref. No.358.

● Included in Carburetor Overhaul Kit—Ref. No. 121.

◆ Included in Carburetor Gasket Set—Ref. No. 977.

⊘ Included in Valve Gasket Set—Ref. No. 1095.

**Illustrations cover a range of engines. Parts shown without corresponding text may not be used on your specific engine.**

REF. NO.	PART NO.	DESCRIPTION	REF. NO.	PART NO.	DESCRIPTION	REF. NO.	PART NO.	DESCRIPTION
801	694482	Cap-Drive	847	693617	Dipstick/Tube Assembly	914	697551	Screw (Rocker Cover)
802	691286	Cap-End						(Used After Code Date 02031000).
803	693757	Housing-Starter	851	493880	Terminal-Spark Plug			<b>Note</b>
819	691685	Screw (Muffler Bracket)	863	692596	Bracket-Muffler			692198 Screw (Rocker Cover)
819A	691108	Screw (Muffler Bracket)	864	694430	Adapter-Muffler (Super Lo Tone)			(Used Before Code Date 02031100).
823	691665	Screw (Muffler Adapter)	864A	692548	Adapter-Muffler (Lo Tone)	914A	692557	Screw (Rocker Cover)
824	696017	Gasket-Heat Shield			Used on Type No(s). 0111.			(Used Before Code Date 02031700).
830	694544	Stud-Rocker Arm	864B	697814	Adapter-Muffler (Used After Code Date 02031700).			<b>Note</b>
832	693583	Guard-Muffler (Lo Tone)						493988 Cap-Fuel Tank
832A	694459	Guard-Muffler (Super Lo Tone)	868	692044	Seal-Valve			(Used Before Code Date 99070400).
		(Used Before Code Date 02031800).	875	693459	Base-Air Cleaner (Plastic High Mount)			(Used Before Code Date 02110100).
832C	697818	Guard-Muffler (Used After Code Date 02031700).			Used on Type No(s). 0118, 0121, 0123, 0124, 0131, 0136, 0144, 0145, 0161, 0194, 0214, 0216.	958	692586	Valve-Fuel Shut Off
836	690661	Screw (Muffler Guard)	875A	697030	Base-Air Cleaner (Plastic High Mount)	961	693598	Screw (Air Cleaner Bracket)
836A	693624	Screw (Muffler Guard)			(Used After Code Date 02103100).	967	493537	Filter-Pre Cleaner (Flat Panel)
		(Used After Code Date 98071900).			Used on Type No(s). 0118, 0121, 0123, 0124, 0131, 0136, 0144, 0145, 0161, 0194, 0214, 0216.	967A	273356	Filter-Pre Cleaner (High Mount)
		<b>Note</b>				968	692584	Cover-Air Cleaner (Flat Panel)
		692851 Screw (Muffler Guard)				968A	693460	Cover-Air Cleaner (High Mount)
		(Used Before Code Date 98072000).	883	691893	Gasket-Exhaust (Cylinder Head to Adaptor)			
836B	691003	Screw (Muffler Guard)(Super Lo Tone)	883A	697815	Gasket-Exhaust (Used After Code Date 02031700).			
836C	691665	Screw (Muffler Guard)	890	694933	Bracket-Support			
842	691031	Seal-O Ring (Dipstick Tube)						
843	694061	Sleeve-Lever						
		<b>Note</b>						
		695588 Sleeve-Lever						
		Used on Type No(s). 0218.						

★ Included in Engine Gasket Set-Ref. No.358.

● Included in Carburetor Overhaul Kit-Ref. No. 121.

◆ Included in Carburetor Gasket Set-Ref. No. 977.

⊘ Included in Valve Gasket Set-Ref. No. 1095.

**Illustrations cover a range of engines. Parts shown without corresponding text may not be used on your specific engine.**

# 121400

REF. NO.	PART NO.	DESCRIPTION	REF. NO.	PART NO.	DESCRIPTION	REF. NO.	PART NO.	DESCRIPTION
971	690370	Screw (Air Cleaner Base to Carburetor)			————— <b>Note</b> ————— <b>690035</b> Kit-Label (Used Before Code Date 97082800).			<b>694451</b> Label-Emission (Used Before Code Date 99100100 and After Code Date 98123100).
971A	690349	Screw (Air Cleaner Base to Carburetor)	<b>1022</b>	★ <b>691890</b>	Gasket-Rocker Cover			
971B	691693	Screw (Air Cleaner Base to Carburetor)	<b>1023</b>	<b>499924</b>	Cover-Rocker			
972	694260	Tank-Fuel (Used After Code Date 99070400).	<b>1026</b>	<b>693517</b>	Rod-Push (Used After Code Date 98061400).			<b>693203</b> Label-Emission (Used Before Code Date 99010100).
972A	694263	Tank-Fuel (Used Before Code Date 99070500).			————— <b>Note</b> ————— <b>692560</b> Rod-Push (Used Before Code Date 98061500).	<b>1051</b>	<b>691265</b>	Ring-Retaining Sensor-Oil
975	493640	Bowl-Float	<b>1029</b>	<b>691230</b>	Arm-Rocker	<b>1052</b>	<b>698674</b>	Tie-Cable
977	695156	Gasket Set-Carburetor	<b>1034</b>	<b>691343</b>	Guide-Push Rod	<b>1054</b>	<b>280275</b>	Owner's Manual
993	★ <b>694088</b>	Gasket-Cylinder Head Plate	<b>1036</b>	<b>697004</b>	Label-Emission (Used After Code Date 01100800).	<b>1070</b>	<b>692590</b>	Screw (Flywheel Fan)
994B	399541	Arrester-Spark			————— <b>Note</b> ————— <b>696766</b> Label-Emission (Used Before Code Date 01100900 and After Code Date 01072300).	<b>1090</b>	<b>691293</b>	Retainer-Brush
994C	697817	Arrester-Spark (Used After Code Date 02031800).			<b>695041</b> Label-Emission (Used Before Code Date 01072400 and After Code Date 99093000).	<b>1095</b>	<b>695289</b>	Gasket Set-Valve
		————— <b>Note</b> ————— <b>690813</b> Arrester-Spark (Used Before Code Date 02031800).				<b>1113</b>	<b>692577</b>	Screw (Panel)
1005	692592	Fan-Flywheel				<b>1119</b>	<b>691183</b>	Screw (Alternator)
1019A	694852	Kit-Label (Used After Code Date 97082700).				<b>1172</b>	<b>691676</b>	Screw (Fixed Speed Bracket)
						<b>1210</b>	<b>498144</b>	Pulley/Spring Assembly (Pulley)
						<b>1211</b>	<b>498144</b>	Pulley/Spring Assembly (Spring)
						<b>1305</b>	<b>691140</b>	Screw (Oil Sensor Module)

★ Included in Engine Gasket Set-Ref. No.358.

● Included in Carburetor Overhaul Kit-Ref. No. 121.

◆ Included in Carburetor Gasket Set-Ref. No. 977.

⊘ Included in Valve Gasket Set-Ref. No. 1095.

**Illustrations cover a range of engines. Parts shown without corresponding text may not be used on your specific engine.**